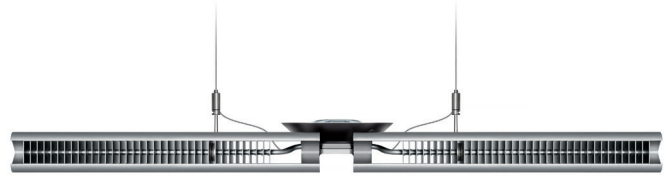


TECHNICAL SPECIFICATION

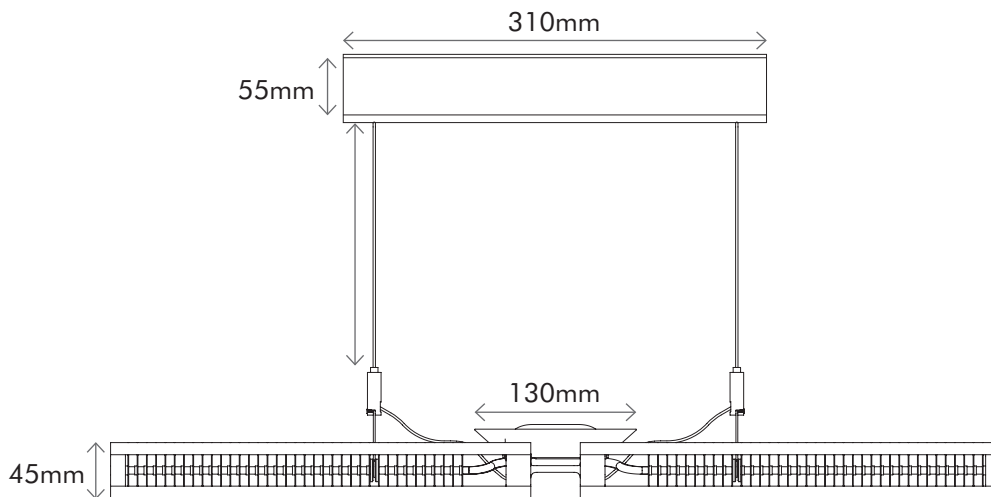
Cu-Beam™ suspended lights represent the pinnacle of lighting technology. Utilising the latest solid state research, together with cutting edge Heat pipe cooling technology, Cu-Beam™ suspended lights create an adaptable suspended luminaire family. Using a single high output, high efficiency chip on board LED, optical efficiency is achieved through custom designed PMMA lenses delivering precise controlled illumination with maximum efficacy. Effective cooling via Heat pipe technology offers prolonged life, performance and colour stability. Customised long life DALI driver with additional heatsinks and high grade capacitors, complete with power over suspension cables.



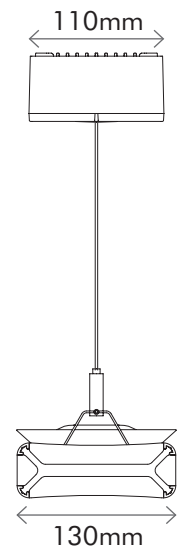
To specify, state:

Sleek suspended luminaire with single high efficiency chip on board LED CRI 80min 2 step binning - cooled via sintered copper heat pipes. Unique toroidal optic with ultra-wide 160° distribution for shallow mounting height. Power over suspension cable DALI Driver, Jake Dyson Light Cu-Beam™ up-light order no.

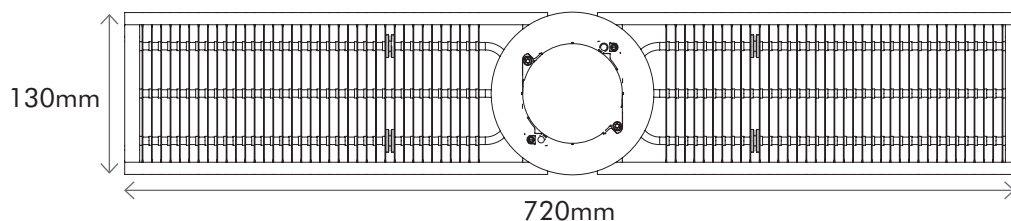
FRONT ELEVATION



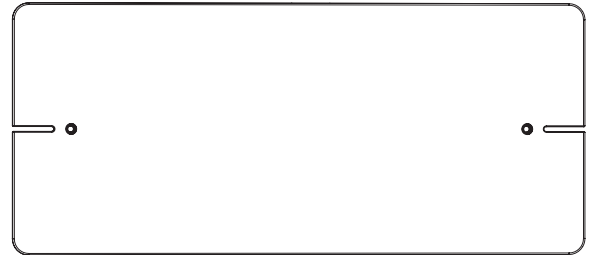
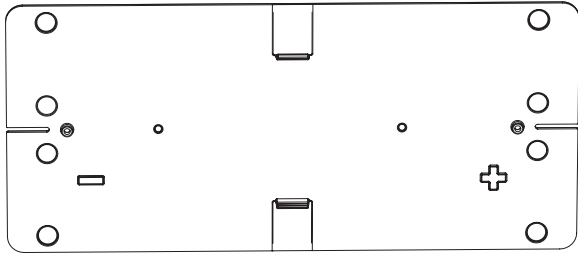
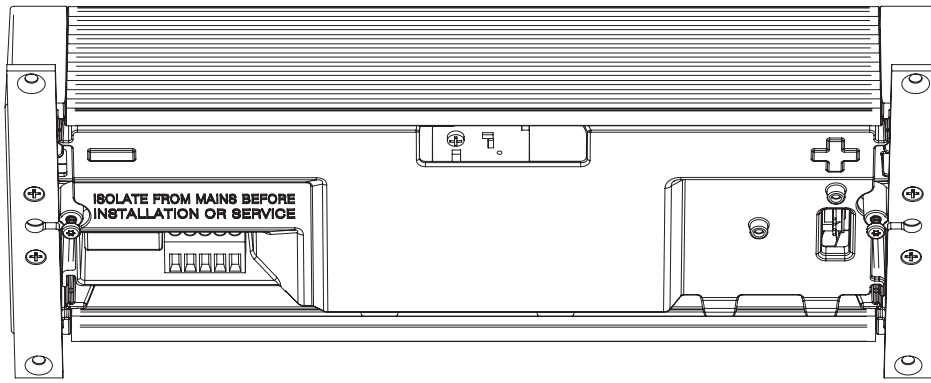
SIDE ELEVATION



TOP ELEVATION



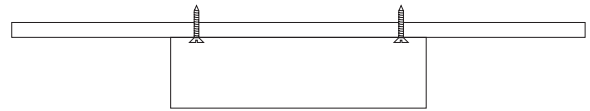
DRIVER BOX



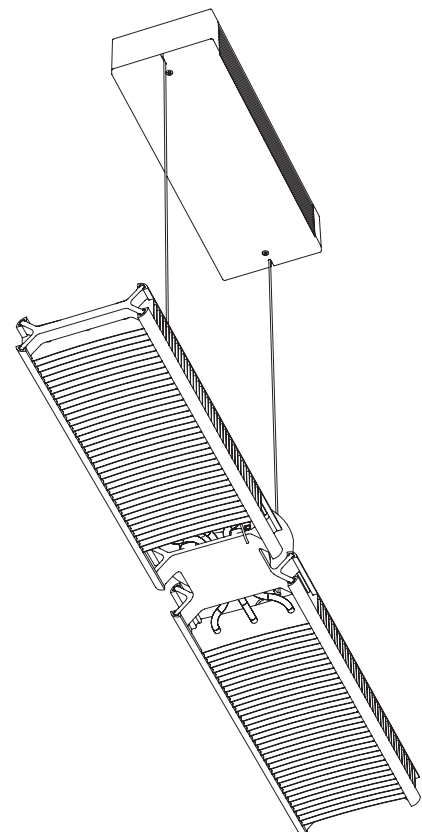
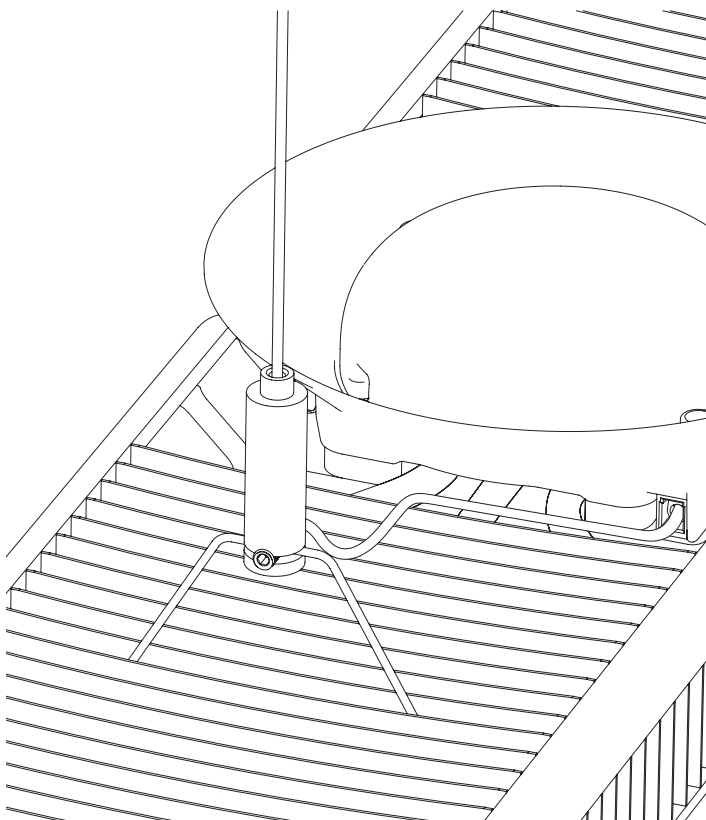
RECESS FIXING



SURFACE FIXING



BRACKETS, CABLE GRABS AND DUAL-PURPOSE CABLE



Installation

Pendant. System complete with power supply base and
L = 4000mm Cable

Mounting: Ceiling pendant

Environment: Indoor

Complies with: IEC/EN 62471 (Including national deviations),
IEC/EN 60598-1 (Including national deviations),
IEC/EN 60598-2-1 (Including national deviations),
IEC 61347-1, IEC 61347-2-13, IEC 62031,
UL 1598, SAC GB 7000-1, SAC GB 7000-201,
SAC GB 7000-202, M.I.T.I - Appendix 8 (1993),
JIS C8105-1, JIS C8105-2-4

Electrical

Input voltage / Frequency: 100-240V, 50/60Hz

Control signal voltage: 0-16 V (0-16 V DC DALI)

Rated power: 90W

Standby power consumption: 0.5W

Driver / Power unit / Transformer: PSD (Power supply unit with
DALI interface) Universal

Driver included: Yes

Embedded control: No

Dimmable: DALI

Minimum dim level: 10%

Suitable for random switching: Yes (relate to presence /
movement detection and daylight harvesting)

Wiring: Product complete with electronic components

Glow-wire test: 850/5 (Temperature 850°C, duration 5s)

Optical

Light source: Chip on board LED

Number of light source: 1

Light source replaceable: No

Light output: 7704lm

Luminous efficacy: 93 lm/W

Light output ratio: 0.90

LED life time: 180,000hrs L70

Colour temperature: 3000K / 4000K (custom option
on request)

CRI: 80min

Beam angle: 160°

IP rating: Indoor use only

MacAdam steps: 2 step binning

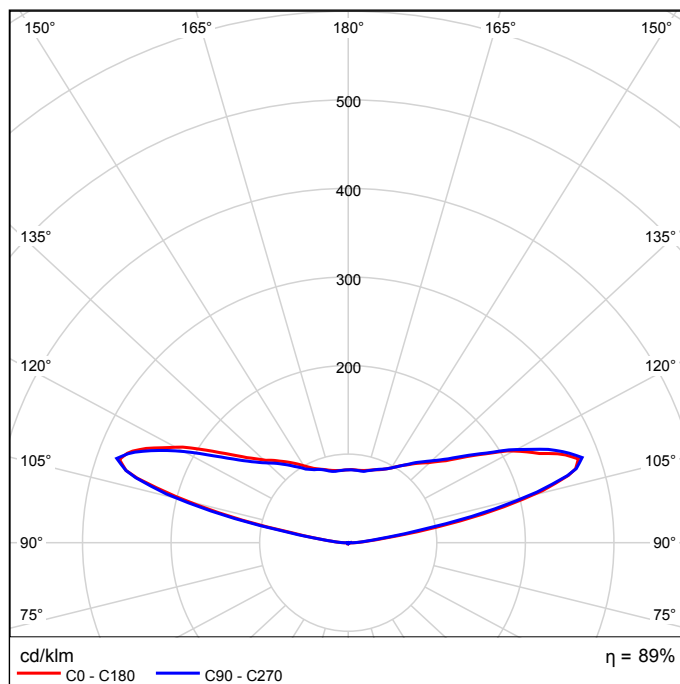
Operating temperature range: 0°C - 40°C or Application
conditions, Average ambient temperature T25 (+25°C)

Construction

Housing materials: Aluminium / Copper / Polycarbonate

Optical lens materials: PMMA (Acrylic)

Polar plot



Operation

DALI dimming

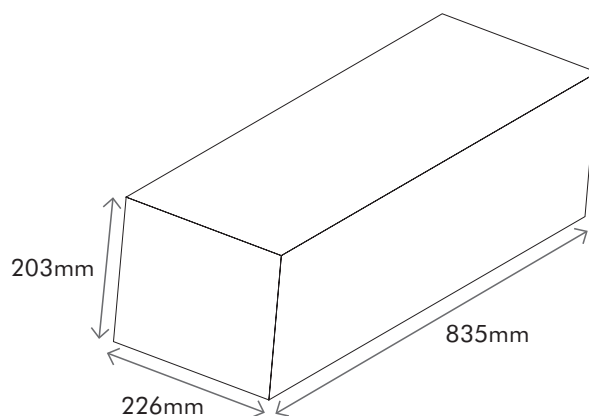
Logistics

Net (fixture) weight: 2.9kg

Luminaire weight: 1.6kg

Packaged weight: 4.8kg

Packaged dimensions:



Standard guarantee

5 years

Product colour

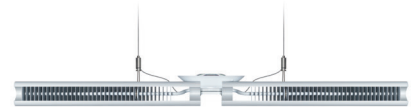
Black (B)



Silver (S)



White (W)



Ordering information

Order no. Example: CUUW3D (Cu-Beam™ up-light in White 3000K DALI Dimming)

CU	U			
Product family Cu-Beam = CU	Type down-light = D up-light = U	Colour Black = B Silver = S White = W	Colour temp 3000K = 3 4000K = 4	Dimming DALI = D

Please enquire for customisation options

Jake Dyson Light

Manufactured by
dyson

For further information please contact Jake Dyson Light
lightingsales@dyson.com
www.dyson.co.uk/lighting