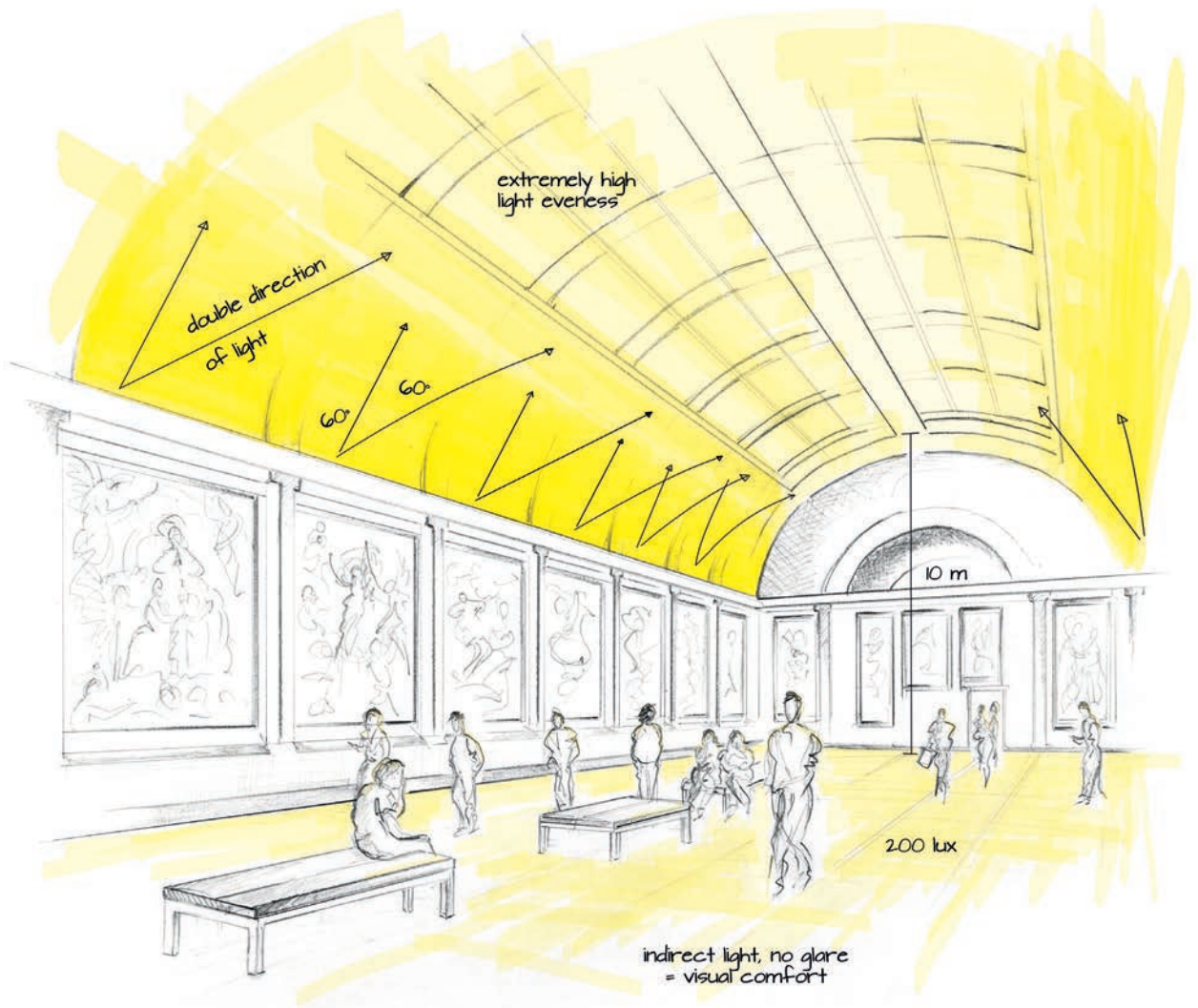


Lighting_concept



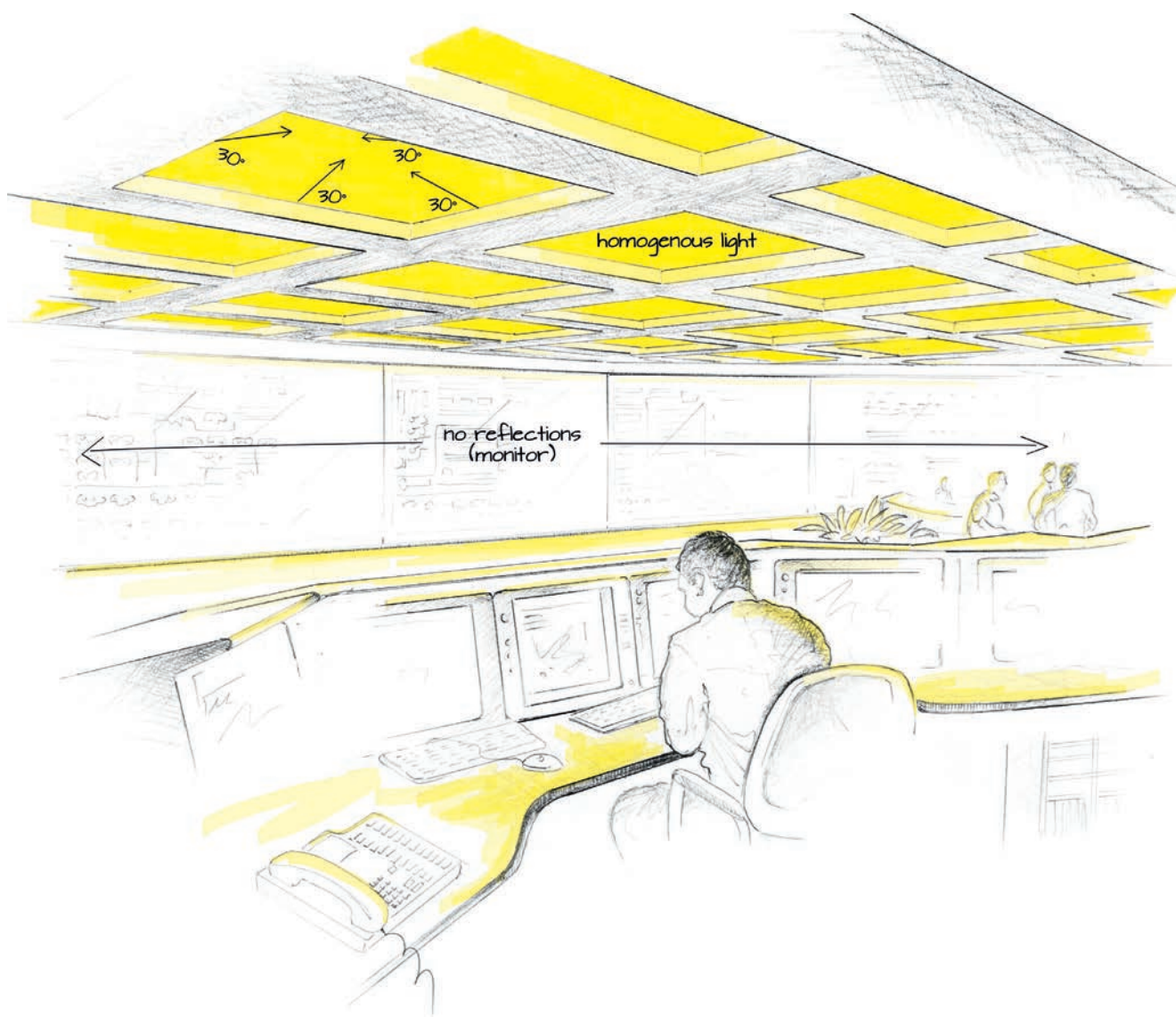
Morena_X

60° + 60° emissions
 3000 K
 High luminous efficacy

The lighting fixtures are just **laid down** and connected to the mains

The light can be aimed in **two directions** to obtain uniform brightness on the ceiling

The indirect light guarantees excellent **visual comfort**



Indoor

Morena

30° emissions

3000 K

High luminous efficacy

The lighting fixtures illuminate by smartly using the recess **reflection**

Minimum illuminance of **500 lux** on the workstations

Morena

Light management:
polycarbonate diffuser that
 receives the light beam and
 softens its edges

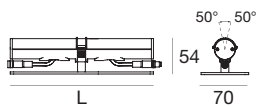
Passive heat dissipation:
anodised aluminium
 casing

Simple installation: base for
surface mounting also
 without using fixing screws

The diffuser can be
moved to direct the light
 beam more precisely

Connectors for **quick
 wiring**



Morena Cove light - SMD LEDs

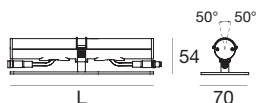
type	L mm	colour	optic
Anod AL 510 8 W 96419	Natural	2470 lm/m CRI 75	N 30° 30
Anod AL 1010 19 W 96420	Warm	2250 lm/m CRI 75	W 60° 60
			120° 12

suggested electronics

99161 ON/OFF 8 W	99106 ON/OFF 18 W	99116 1-10 V 8 W	99115 1-10 V 18 W	99131 DALI 8 W	99114 DALI 18 W

accessories

99231 ▶ 217	99232 ▶ 217

Morena Cove light - SMD LEDs

type	L mm	colour	optic
Anod AL 510 8 W 96383	Natural	2470 lm/m CRI 75	N 30° 30
Anod AL 1010 19 W 96384	Warm	2250 lm/m CRI 75	W 60° 60
			120° 12

accessories

99231 ▶ 217	99232 ▶ 217

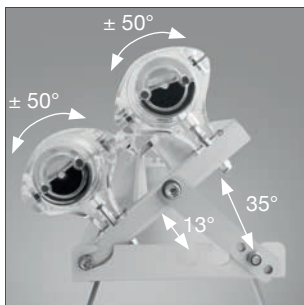
Morena-x

Light management:
polycarbonate diffuser that
 receives the light beam and
 softens its edges

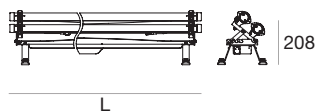


Passive heat dissipation:
anodised aluminium casing

Simple installation: base for
surface mounting also
 without using fixing screws



Maximum mobility by
 adjusting base tilt and LED
 tube rotation angles

Morena-X Cove double light - SMD LEDs

type	L mm	colour	optic
Anod AL	594 36 W	96657	Dynamic 2400-2200 lm/m CRI 80 D 60° 60
Anod AL	1135 72 W	96658	