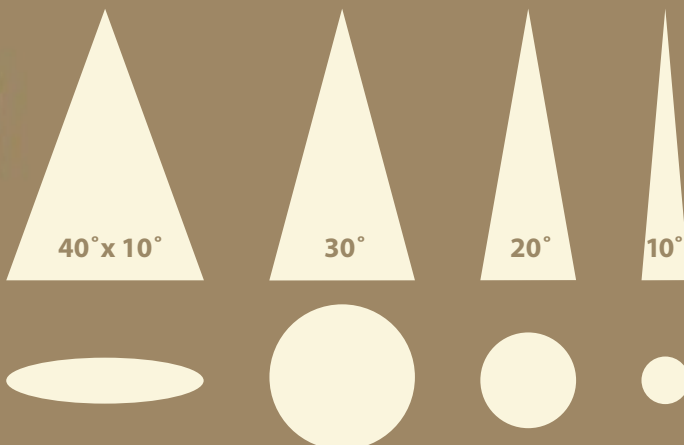




LED Flush Mount system FMCI-L

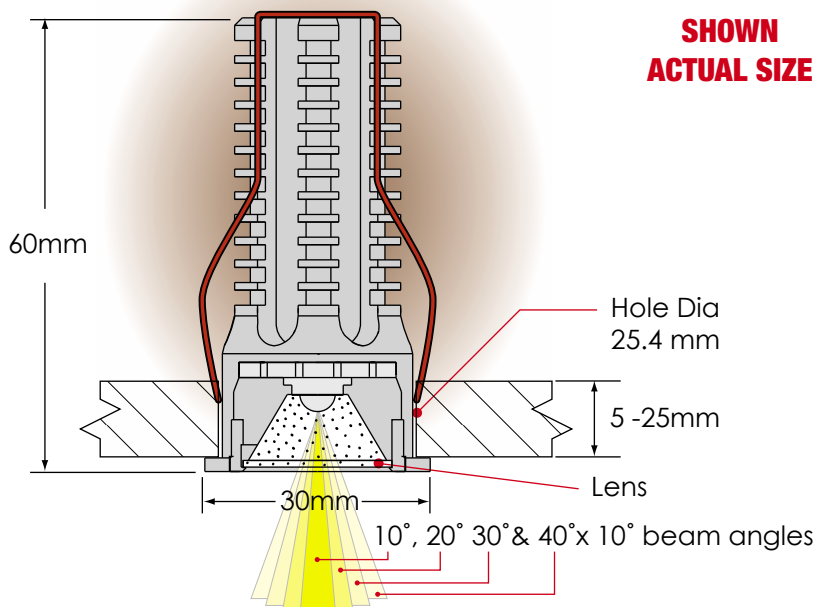


3 watt single LED
Available in:
White
(warm, neutral & cool)
Plus a range of colours
& RGB

Machined Aluminium
Construction

Lens rim is available in
a large selection of
powder coated colours or
brushed aluminium

Efficient lens designs
Greater than 90%
light transmission



- Extremely economical running & maintenance costs -
 Expected life, 70% lumen maintenance at 50,000 hours. (10 years 2 12 hours per day)
 Up to 100 lumens per watt. (our efficient heat sink design maximises lamp efficiency)
- Compact size with effective lighting in a visually discreet fitting.
- Environmentally friendly, no mercury is used compared with fluorescent and other light sources.
- Dimmable 100% (0 - 10v or DMX) . Unlike other light sources lamp life is not effected by chasing effects or permanent dimming.
- Tight beam control minimises glare.
- Easy installation - spring clip design

Power Requirements:

Current limit: up to 1 amp
 $V_F : 3.5v @ 700mA$
 $*T_J < 65^{\circ}C @ T_A \leq 25^{\circ}C$
 $*(T_J < 80^{\circ}C = 70\% \text{ Lumen}$
 Maintenance @ 50,000 hours)



PLANET
 LIGHTING

Made in Australia
Exported to the World

Tamarind Drive Bellingen
 NSW 2454 Australia
 Phone + 61 (0)2 6655 1077
 Fax + 61 (0)2 66552121
 info@planetlighting.com
 www.planetlighting.com