

CSYS



Jake Dyson Products 

---

# 1

## JAKE DYSON PRODUCTS

At Jake Dyson Products we control and oversee the entire process from concept, through to testing and manufacturing, to supplying our customers and retailers.

We design brilliantly engineered lighting products that answer to the market's needs. We do this by evolving our products and

the technology that drives them. We aim to combine design and functionality to create iconic products.

Our workshop is based in Clerkenwell, London. In Victorian times our building was used for electrical and mechanical engineering. In 2004 Jake Dyson Products brought it back to life.



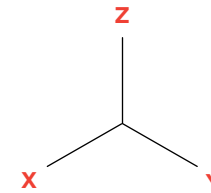




---

# 2

## WHAT WE DO



**A CSYS is the system of coordinates that defines an object's position in the X, Y and Z axis**

Over the past few years we have developed manufactured lighting products incorporating functional motion mechanics. Our experience and research has gone into our latest product range, the CSYS LED task lights, fulfilling a desire to challenge conventional mechanical movement and positioning of existing task lights.

The CSYS range marries the latest technology with sleek design and innovative positioning. Our dimmable LED task lights are developed with refined thermal management, heat pipe

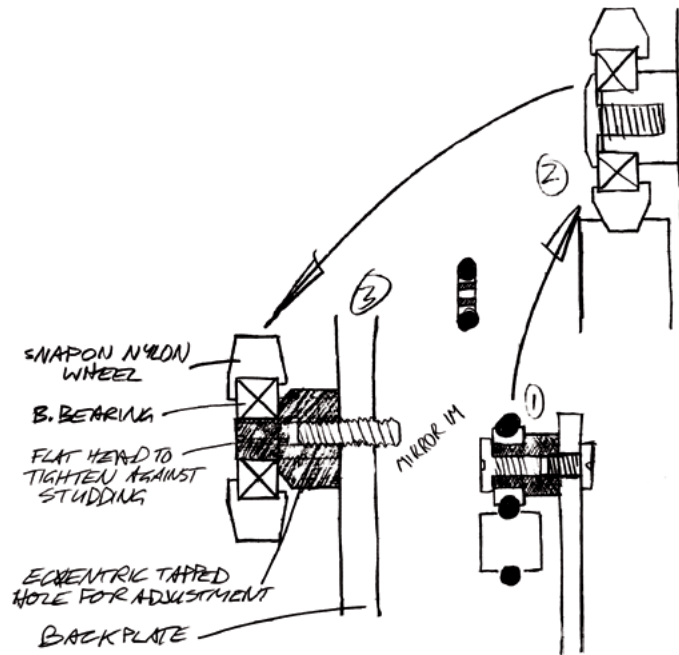
technology and an electronics system that produces a bright, warm, white colour with astonishing efficiency and durability.

The Motorlight Floor was the first product developed and manufactured by JDP in 2006. It is a motorised angle adjustable uplighter which allows you to set any angle of light desired between 8 and 60 degrees, using just one bulb. The range of angles can be continuously cycled to create a theatrical mood lighting effect.





# 3 INNOVATION



The CSYS range comprises of innovative LED task lighting.

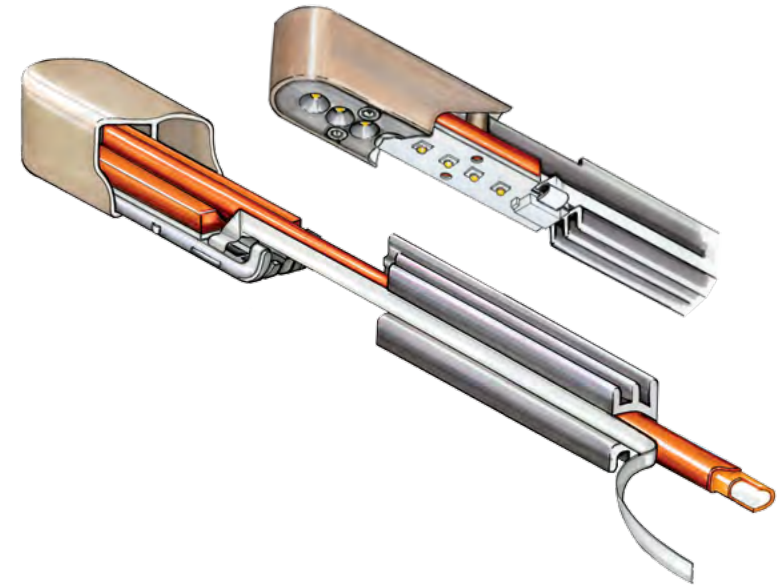
The CSYS is an environmentally conscious, dimmable light offering precise light direction through three axes of mechanical movement.

The range has been designed using refined thermal management and heat pipe technology,

which was developed for use in satellites and is now more commonly used to cool microprocessors in computers.

By developing this technology and exploring motion mechanics, we have reinvented the task light.

# 4 HEAT PIPE TECHNOLOGY 37+ YEARS LED LIFE



It is essential for LEDs to run at a cooler temperature in order to increase their life-span. The cooler the LED, the longer the life.

The CSYS range is designed to run for 37+ years. This is because of the heat pipe technology developed within the product.

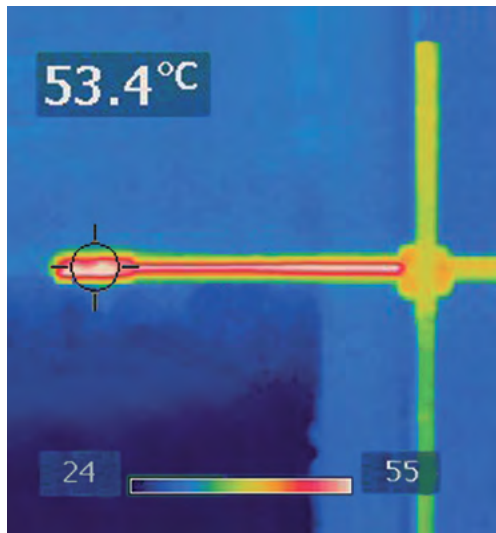
The heat pipe removes heat from the LEDs and spreads it along the heat sink in the arm of the CSYS. The heat is then dispersed into the air. This

keeps the LEDs running at a cooler temperature.

Energy efficiency is maximised so that the lamp draws only 8.8W (five times less than a comparable halogen bulb). The long life means that no replacement bulbs are required.

Cooling the LEDs also protects the consistency and longevity of the colour and brightness of the lighting, with astonishing efficiency.

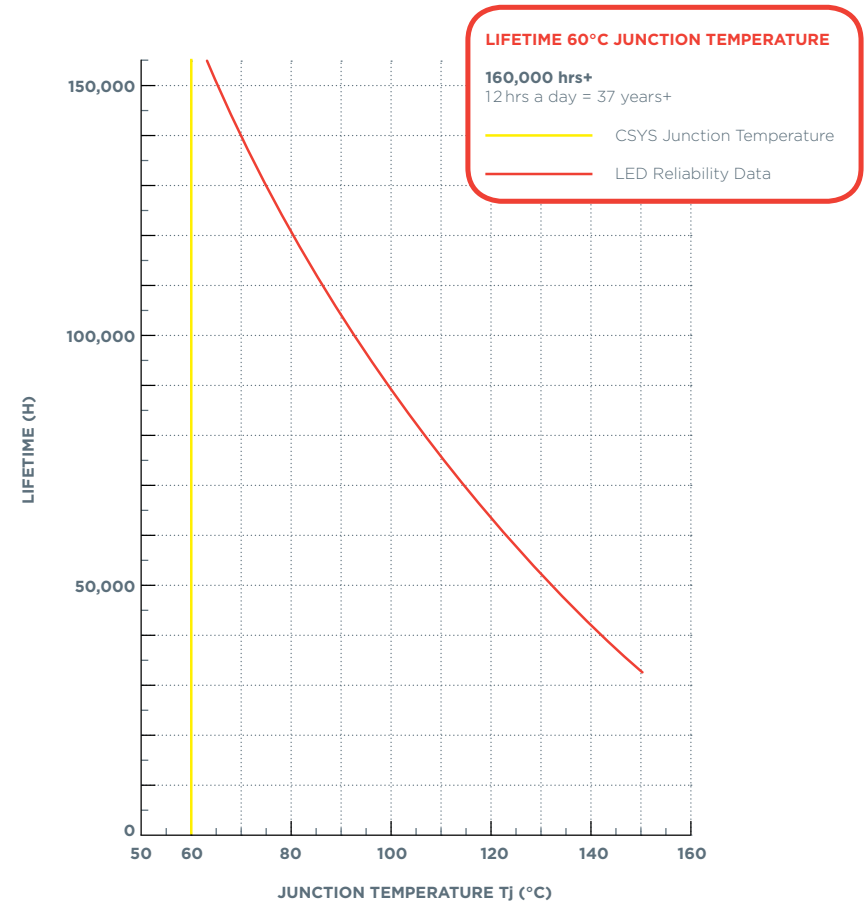
# 5 CSYS LED LIFE



Heat pipe technology ensures sustainable, quality LED performance for over 160,000 hours of continual use, which equates to approximately 37+ years, at 12 hours use per day.

To achieve maximum efficiency a heat sink must utilise the entire surface area to discharge heat.

The heat sink within the CSYS is incorporated as a structural element of the product and the heat pipe allows it to utilise its entire surface area to discharge heat evenly. The LEDs in the CSYS are run at just 30 degrees above room temperature as is shown in the thermal image.



The graph outlines the projected life of the LED chips within the CSYS. These figures are achieved due to the refined and efficient heat management within the CSYS.

The LED manufacturer predicts 50,000 hours LED life at a junction temperature of 130°C, but over 150,000 hours at a junction temperature

of 60°C. Through effective cooling, the CSYS maintains a much lower temperature than conventional LED task lights, vastly increasing the life of the LEDs.

The chances are the LEDs will last longer than you will.

---

# 6

## FLEXIBILITY & PRECISION



No other light moves in the same way.

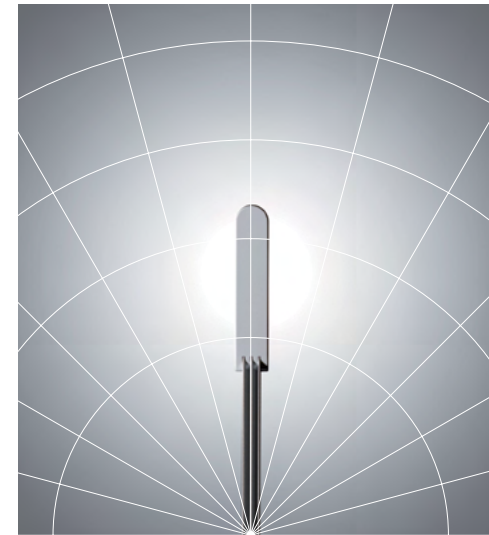
The CSYS lights can be smoothly manoeuvred, both horizontally and vertically, as well as rotationally through 360°, to allow precise positioning.

Inspired by a construction crane, elevator and drawing board, the CSYS is precision engineered to stay exactly where it is positioned.

---

# 7

## LIGHT



The CSYS produces a bright, clear and even pool of warm, white light.

The spread and intensity of light can be easily controlled. Setting the LED head close to the working area allows for focused illumination, while raising it creates a wide pool of light. Its optical design minimises hot-spots and there is no glare.

In addition, the refined and compact structure of the light means that it does not interfere with your line of sight.

Constant acceleration in LED development poses a real challenge for manufacturers to keep up and best implement these new technologies. The fully dimmable CSYS is designed to accommodate and upgrade to the latest generation of high power, warm, white LEDs.



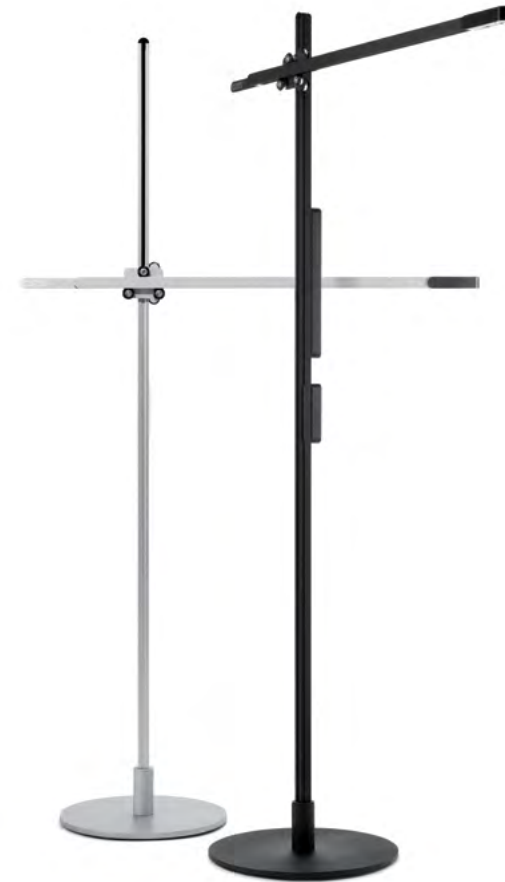


---

8

## CSYS TALL

FLOOR STANDING LED TASK LIGHT









---

9

## CSYS TASK

LED TASK LIGHT FOR TABLE/DESK USE









---

# 10

## CSYS CLAMP

A CLAMP FASTENING LED DESK LIGHT









### CSYS TALL

Touch Sensitive Dimming / Switch

Light Level Memory

Safe 12V Supply

Materials:  
Aluminium / Copper /  
Steel / Polycarbonate Plastic

LED Power:  
8.8W

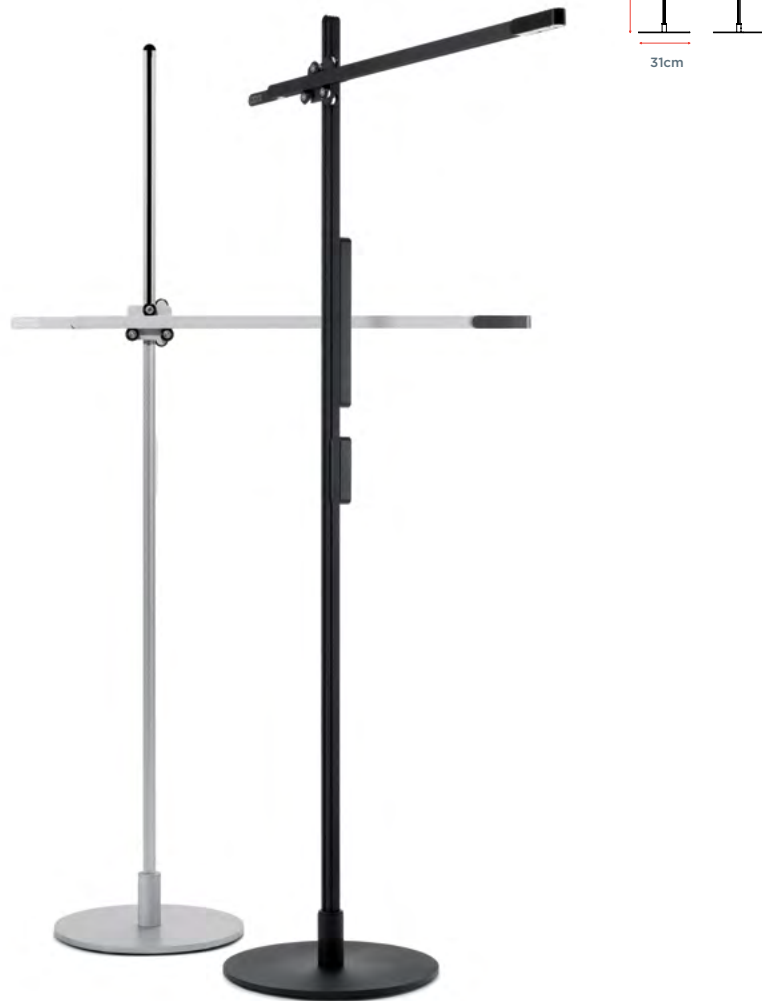
Luminous Efficacy:  
56lm/W

Colour Temp:  
2700K

CRI:  
82

Beam Angle:  
90°

IP Rating:  
IP20



Black-Black Black-Silver

### CSYS TASK

Touch Sensitive Dimming / Switch

Light Level Memory

Safe 12V Supply

Materials:  
Aluminium / Copper /  
Steel / Polycarbonate Plastic

LED Power:  
8.8W

Luminous Efficacy:  
56lm/W

Colour Temp:  
2700K

CRI:  
82

Beam Angle:  
90°

IP Rating:  
IP20



Black-Black Putty Grey-Silver Black-Silver Red-Silver White-Silver

**CSYS CLAMP**

Touch Sensitive Dimming / Switch

Light Level Memory

Safe 12V Supply

Materials:  
Aluminium / Copper /  
Steel / Polycarbonate Plastic

LED Power:  
8.8W

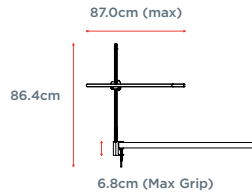
Luminous Efficacy:  
56lm/W

Colour Temp:  
2700K

CRI:  
82

Beam Angle:  
90°

IP Rating:  
IP20



Black-Black



Black-Silver

This luminaire contains built-in LED lamps.

The lamps cannot be changed in the luminaire.

**A++**  
**A+**  
**A**  
**B**  
**C**  
**D**  
**E**

**LED**

Jake Dyson Products LLP

TL1

This luminaire contains built-in LED lamps.

The lamps cannot be changed in the luminaire.

**A++**  
**A+**  
**A**  
**B**  
**C**  
**D**  
**E**

**LED**

Jake Dyson Products LLP

TL2

This luminaire contains built-in LED lamps.

The lamps cannot be changed in the luminaire.

**A++**  
**A+**  
**A**  
**B**  
**C**  
**D**  
**E**

**LED**



Jake Dyson Products LLP

TL3



Jake Dyson Products  
1 Crawford Passage, Clerkenwell, London EC1R 3DP

t: +44 (0)20 7713 0188 [www.jakedyson.com](http://www.jakedyson.com)

 Jake Dyson Products | Jake Dyson Products Japan  
 @JDProducts | @JDProduct\_Japan

For general information: [info@jakedyson.com](mailto:info@jakedyson.com)

For sales: [sales@jakedyson.com](mailto:sales@jakedyson.com)

For PR enquiries: [pr@jakedyson.com](mailto:pr@jakedyson.com)

Jake Dyson Products 