



CATENARY SUSPENDED LUMINAIRES

.hess







RESIDENZA U RESIDENZA UM RESIDENZA UL



Product Information
www.hess.eu/4010

RESIDENZA U . Catenary Suspended Luminaire

Catenary suspended, pole top-mounted or wall luminaire: The RESIDENZA model with cylindrical luminaire head made from polymethyl methacrylate is available in many different designs, paving the way for integrated design concepts for urban areas.

Product Description: Cast aluminium housing. Includes attachment mechanism for a suspension cable provided by others. Clear PMMA enclosure. Rotationally symmetric reflector, constructed from anodised aluminium and specially designed to reduce upward reflected light. Tool-less opening and maintenance. Choice of any RAL (classic-unifarb), Hess mica or Hess DB finish.

Options: Ring reflector for increased pedestrian visual comfort. Safety class II. Socket.

Lamp: HIE up to 70W, HIT up to 70W, HSE up to 70W

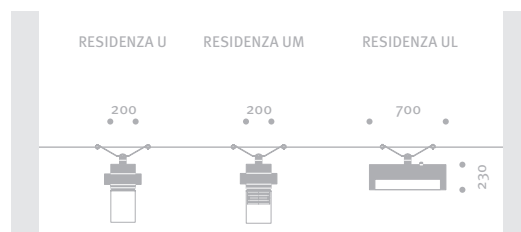
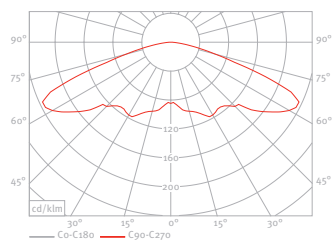
Product Family: Outdoor lighting, Illuminating columns, Wall mounted luminaires

Advantages:

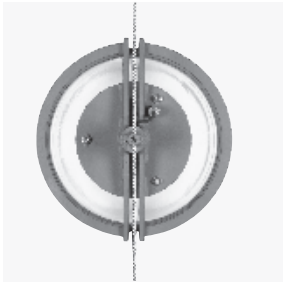
- Elegant modern design
- Highly suitable for city centres
- Opening and maintenance of the luminaire without tools

Technical Data:

Ingress protection: IP65







VILLAGE



Product Information
www.hess.eu/4055

VILLAGE . Catenary Suspended Luminaire

Galvanised steel and polymethyl methacrylate set the tone for the VILLAGE family of luminaires. Their cylindrical luminaire enclosure, 480 mm in diameter, has an aluminium ring reflector without mirror, ensuring glare-free lighting.

Product Description: Galvanised steel and PMMA construction. Stainless steel cable provided by others. Weight is 24 kg. Choice of any RAL (classic-unifarb), Hess mica or Hess DB finish.

Options: Night economy feature (only HSE). Safety class II. Socket.

Lamp: HIE up to 100W, HSE up to 70W, HIT up to 70W

Product Family: Outdoor lighting, Wall mounted luminaires

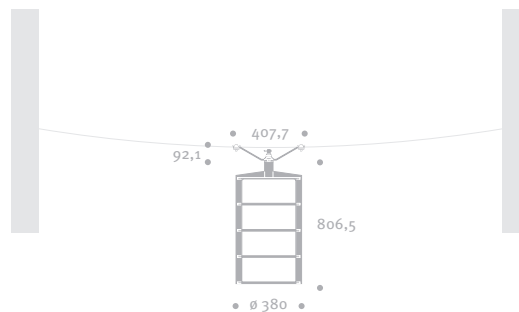
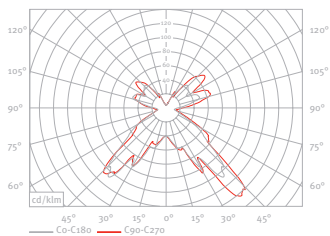
Advantages:

- The VILLAGE product family makes integrated lighting solutions possible
- Available with various equipment options

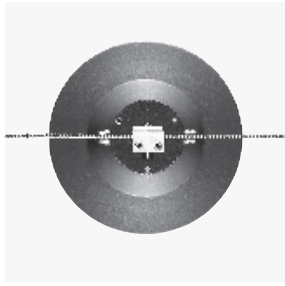
Technical Data: (Variant Details)

Ingress protection: IP54

IK-Value: o8







PENDO PENDO M



Product Information
www.hess.eu/4080

PENDO . Catenary Suspended Luminaire

Simple design coupled with technical finesse: The PENDO catenary suspended luminaire meets a vast array of technical lighting needs, be they for symmetrical, asymmetrical or rotational symmetrical light distribution.

Product Description: Aluminium housing and cast aluminium mount. Clear PMMA enclosure. All of the electronic gear assembled on a single tray with connector for tool-less removal following loosening of thumb screws. Anodised aluminium reflector. Tool-less luminaire opening. Stainless steel cable provided by others. Choice of any RAL (classic-unifarb), Hess mica or Hess DB finish.

Options: Translucent enclosure. Safety class II. Night economy feature (HSE). Socket.

Lamp: HIE up to 70W, HIT up to 70W, HSE up to 70W

Advantages:

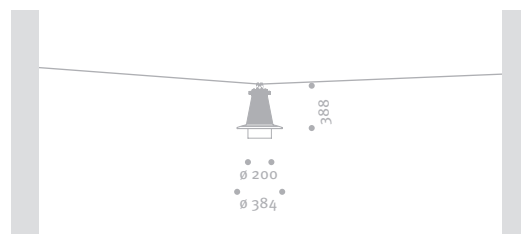
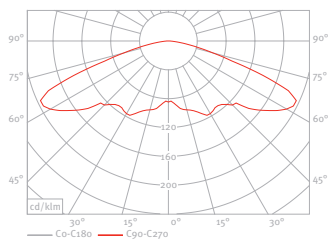
- Stainless steel suspension
- Electrical components mounted to an electric block
- Electric block and luminaire maintenance without tools

Technical Data: (Variant Details)

Ingress protection: IP54

ULOR: <1%

IK-Value: 07







FARO



Product Information
www.hess.eu/4100

FARO UE 720 . Catenary Suspended Luminaire

The FARO family of luminaires is ideal for the indirect and glare-free lighting of squares or pedestrian zones and creating a particular ambience. The individual mirror facets on the pole-mounted luminaire and the catenary suspended luminaire are illuminated from below and reflect the light, producing a homogeneous spread of light.

Product Description: Specially designed for glare-free symmetric indirect lighting. Canopy constructed from aluminium. Secondary reflector is comprised of individual facets, which are manufactured from special-purpose plastic. Facet front surfaces are metallised with super purity aluminium and treated with double protective coat. Aluminium luminaire housing. Stainless steel cable provided by others. Weight is 27 kg. Choice of any RAL (classic-unifarb), Hess mica or Hess DB finish.

Options: Safety class II.

Lamp: HIT up to 150W

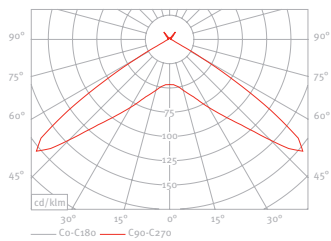
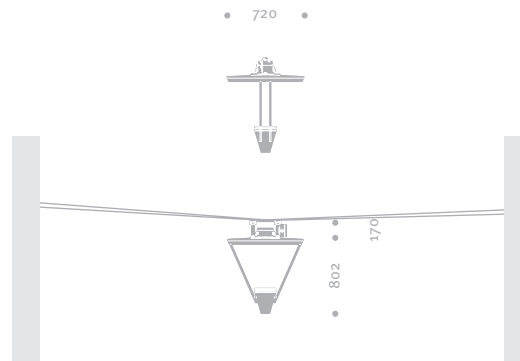
Product Family: Wall mounted luminaires, Light beam image splitting

Advantages:

- Brilliant optical light control and efficiency thanks to high-quality secondary reflector
- Almost glare-free lighting, even for high illumination levels
- Modern design
- Symmetrical light distribution

Technical Data: (Variant Details)

Ingress protection: IP54
 ULOR: 1%





CANTO



Product Information
www.hess.eu/4032

CANTO UE 550 . Catenary Suspended Luminaire

The highly varied range of the CANTO outdoor lighting family opens up numerous possibilities for lighting and urban planners: As a pole-mounted, wall or catenary suspended luminaire, it meets all the needs of public lighting. The LEVO LED module is highly economical.

Product Description: Aluminium luminaire housing. Stainless steel mount. Stainless steel cable provided by others. Single-pane, tempered safety glass enclosure opens without tools. Choice of any RAL (classic-unifarb), Hess mica or Hess DB finish. Comes with conventional lamps or modular LEVO LED light sources.

Light colours: 3000, 4000 K.

Options: Safety class II. Night economy feature. Socket.

Lamp: HST up to 150W, HIT up to 150W, LED LEVO up to ca. 75W

Product Family: Outdoor lighting, Wall mounted luminaires

Advantages:

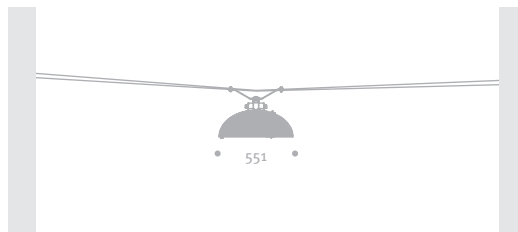
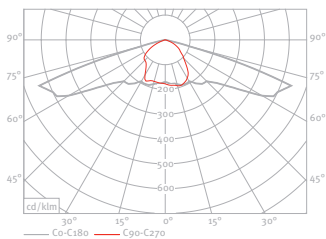
- Equipment optional conventional or with LEVO LED module
- LEVO dimming possible together with LED module
- Ideal area of application: Street lighting

Technical Data: (Variant Details)

Ingress protection: IP65

ULOR: 0%

IK-Value: 08





VAREDO



Product Information
www.hess.eu/2620

VAREDO . Catenary Suspended Luminaires

VAREDO – BY HESS. With VAREDO, a complete generation of luminaires and site furnishings, that offers maximum freedom and flexibility when it comes to designing urban spaces, was created. A wide array of products, but always within the same family. A host of different materials, but always with a high-quality appearance and feel. Further benefits include quality workmanship and a compelling expression of design. Whether outdoor lighting, illuminating bollard or site furnishings. VAREDO is inspirational. VAREDO – BY HESS. Time for something exceptional.

Product Description: Cast aluminium luminaire body. Single-pane safety glass (ESG) luminaire enclosure, printed, opens without tools. Stainless steel rope to be provided on site. All RAL (classic unicolour shades), Hess DB and Hess glimmer colours.

Options: Safety class II. Night economy feature. Socket.

Lamp: LED LEVO up to ca. 50W, LED LEVO Q up to ca. 90W

Product Family: Outdoor Lighting, Illuminating Bollards, Barrier Systems, Bicycle Racks, Benches, Waste Receptacles

Advantages:

- Extended product family offers numerous combination options
- Efficient LED lighting technology, optionally with intelligent control

Technical Data: (Variant Details)

Area exposed to wind: 0,05 m²

Ingress protection: IP65

IK-Value: 07

